

# FHMS-01

---



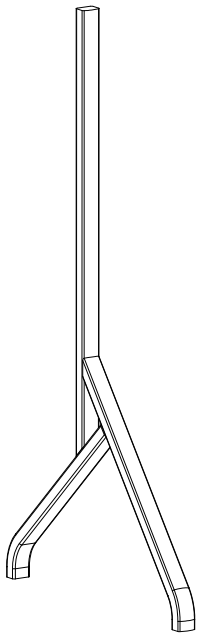
Model-FHMS-01

---

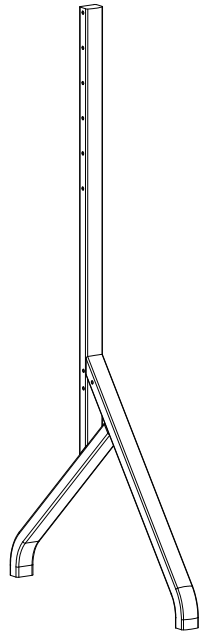
- To use the product safely and correctly, please read this manual carefully before installation.
- This product is suitable for 65-100 inch interactive display.
- The maximum capacity of this cart is 100 KG



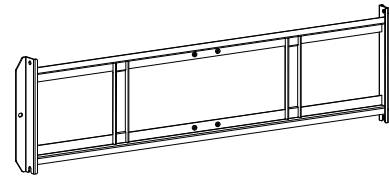
● Main Parts:



A-left column 1pc



B-right column 1pc



D-wall plate 1pc



E-bracket 2pcs

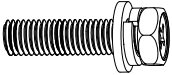

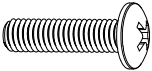
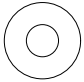


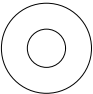
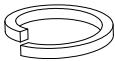
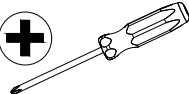
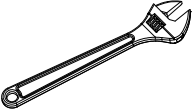
C-tray 1pc



F-4 inch wheels 4pcs

● Screw kits:

			
a-M8*20 Screw 12pcs	b-M6*16 Screw 4pcs	c-M8*25 Screw 4pcs	d-Ø16*Ø8.5*1.0 Washer 4pcs

			
e-Ø24*Ø12.5*1.5 Washer 4pcs	f-Ø20*Ø12.5*3.5 Spring washer 4pcs	Cross screwdriver (Self provided)	Spanner (Self provided)

**Step 1:**

Adjust the wheels to the braking state, and then screw the four wheels onto the left and right columns. (Figure 1)

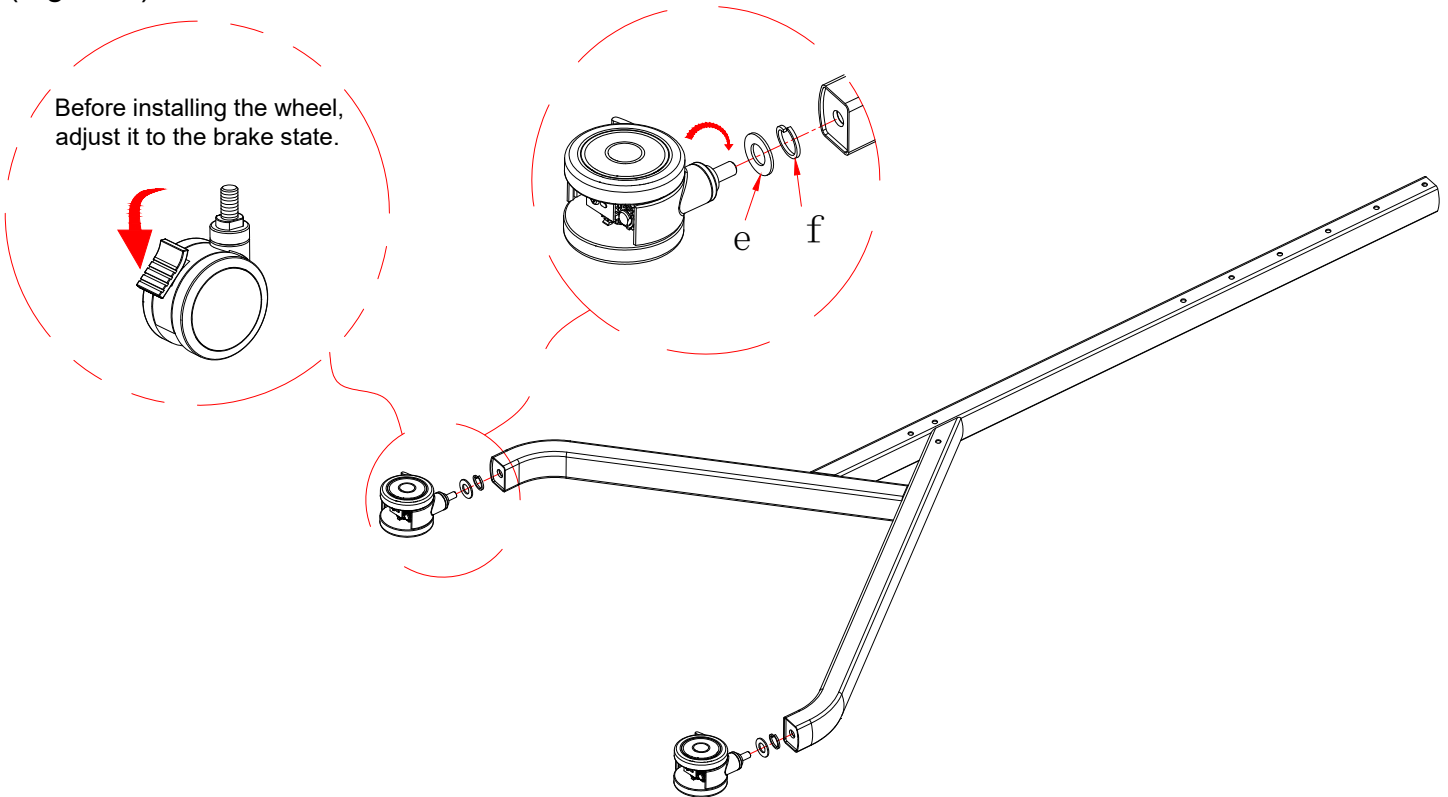


Figure 1

**Step2:**

There are 3 combinations of installation holes in the wall plate. Choose the combination you need. Turn a screw (a) into the lower hole of the combination in advance. Do not lock it and reserve a distance of 8mm. Then hang up the wall plate and lock all six screws (a). (Figure 2)

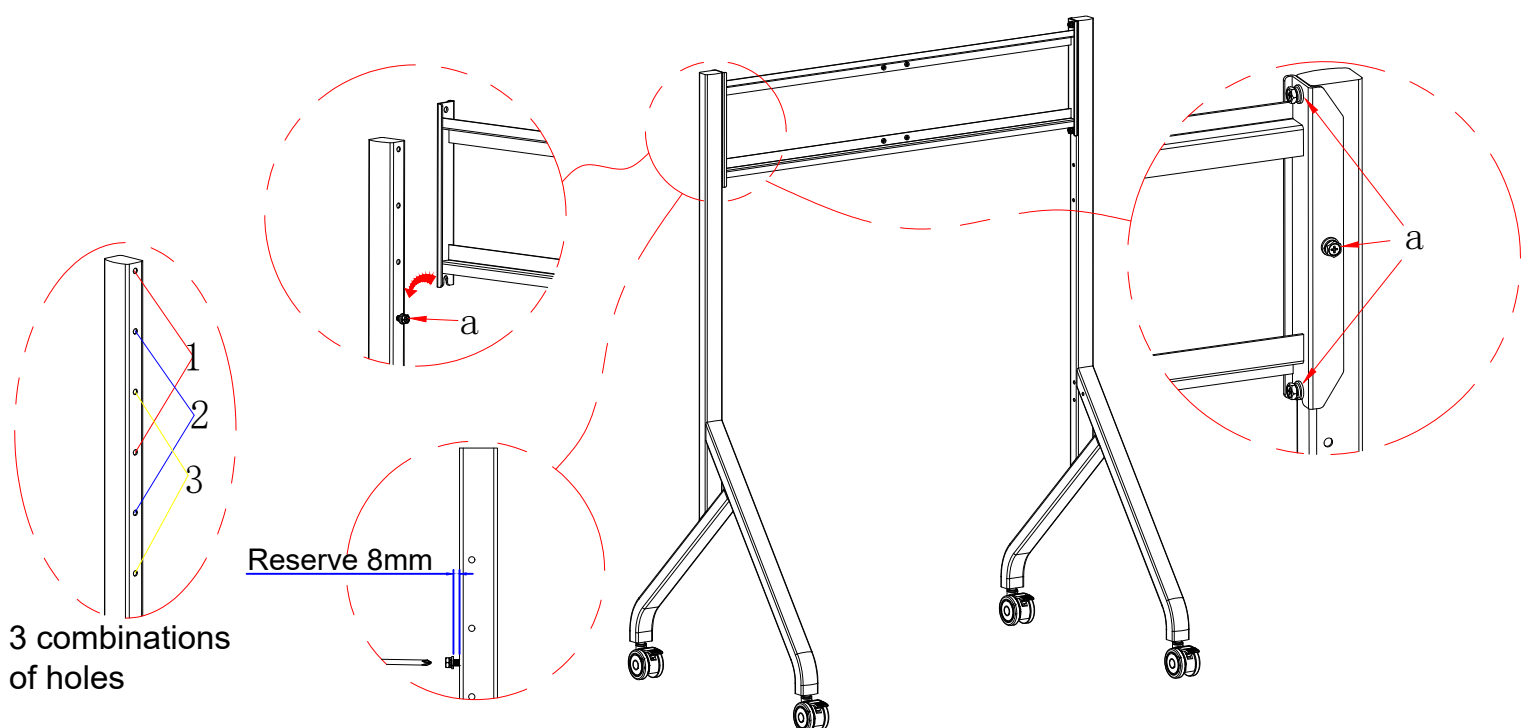
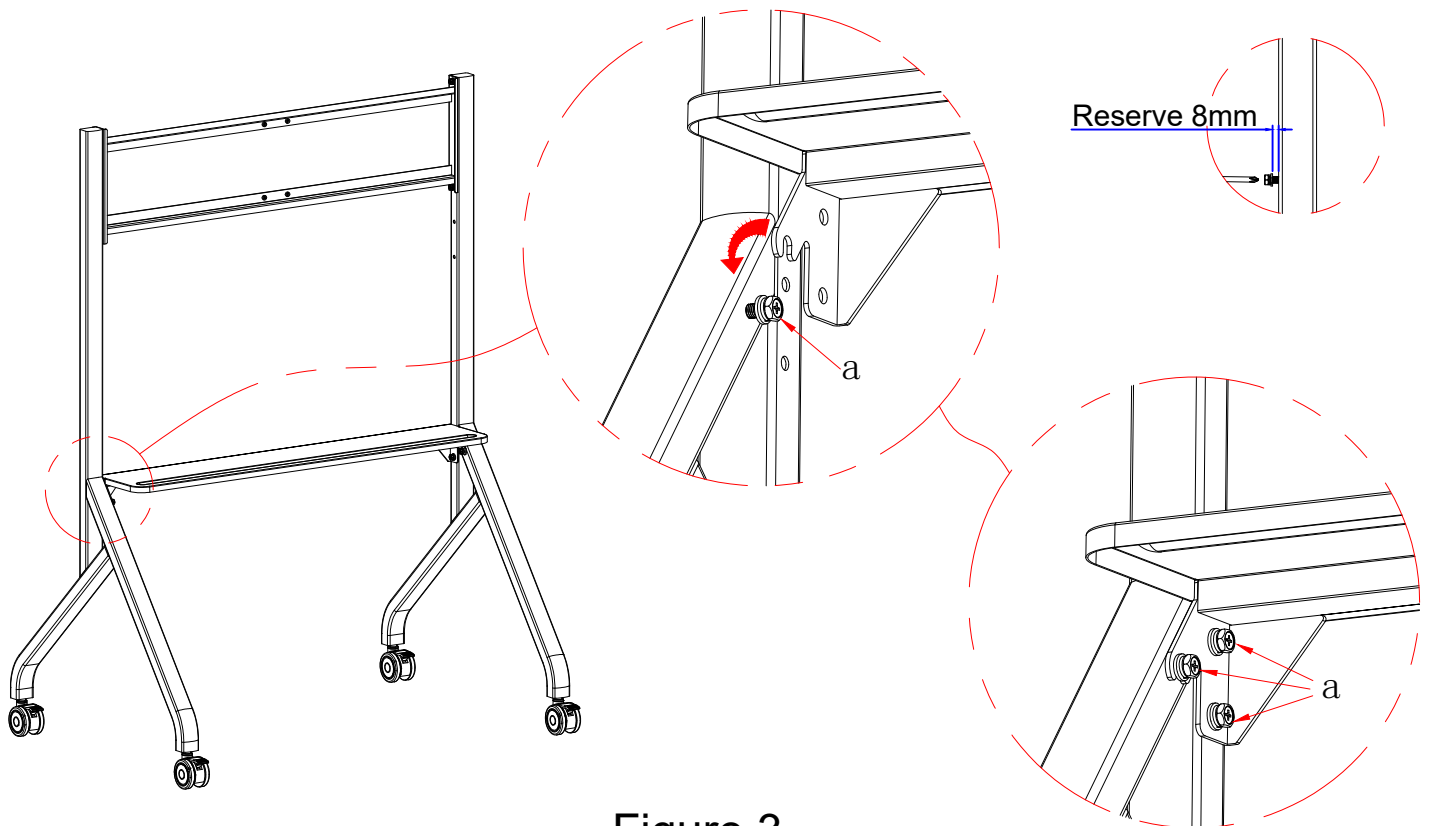


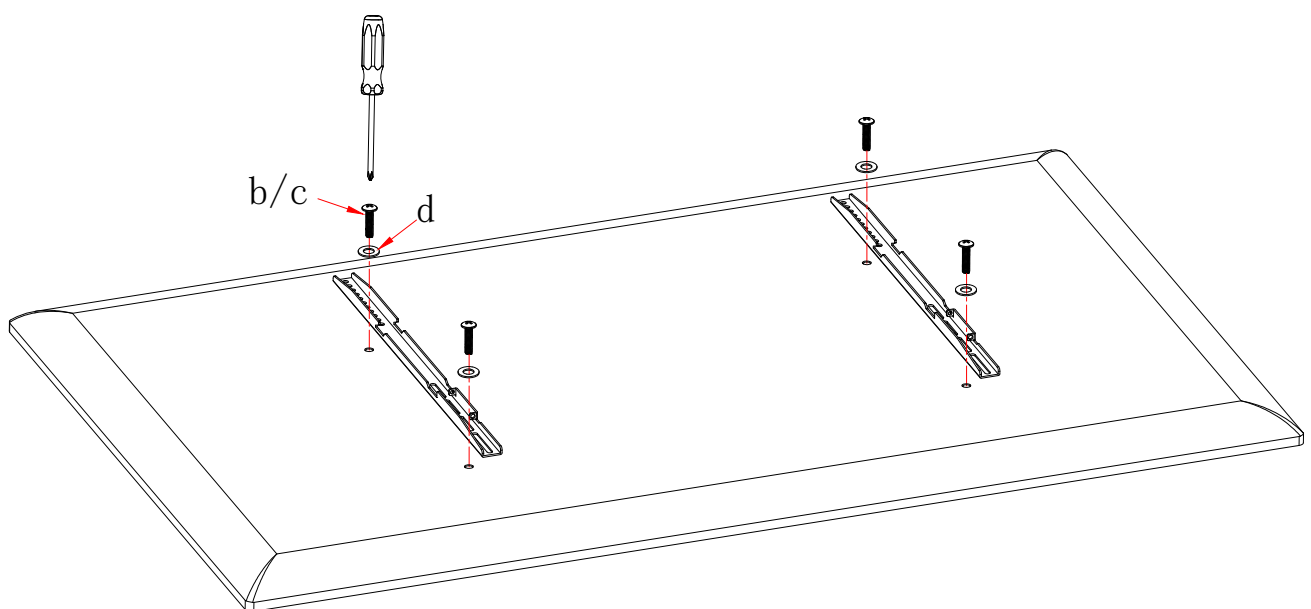
Figure 2

**Step 3:**

Turn a screw (a) into the hole as shown in Figure 3 in advance, do not lock and reserve a distance of 8mm. Then hang up the tray and lock all six screws (a).(Figure 3)

**Figure 3****Step 4:**

As shown in Figure 4, lay the conference screen flat, and select the appropriate screw to connect the bracket with the screen.(Figure 4)

**Figure 4**

Step 5:

Install the interactive display with the bracket on the wall plate, ensure that the hook is hung on the border of the wall plate, and then lock the safety screw on the bracket. (Figure 5)

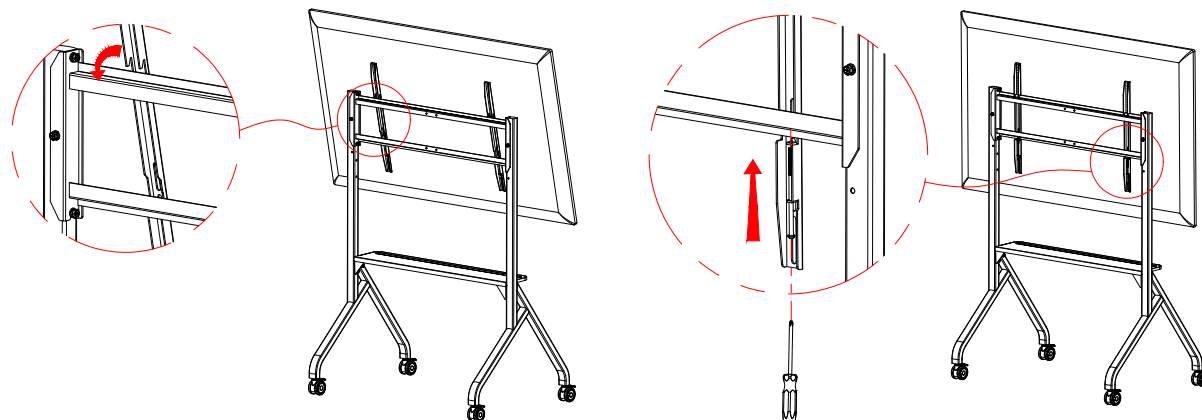


Figure 5

Step 6:

The effect after installation is as follows.

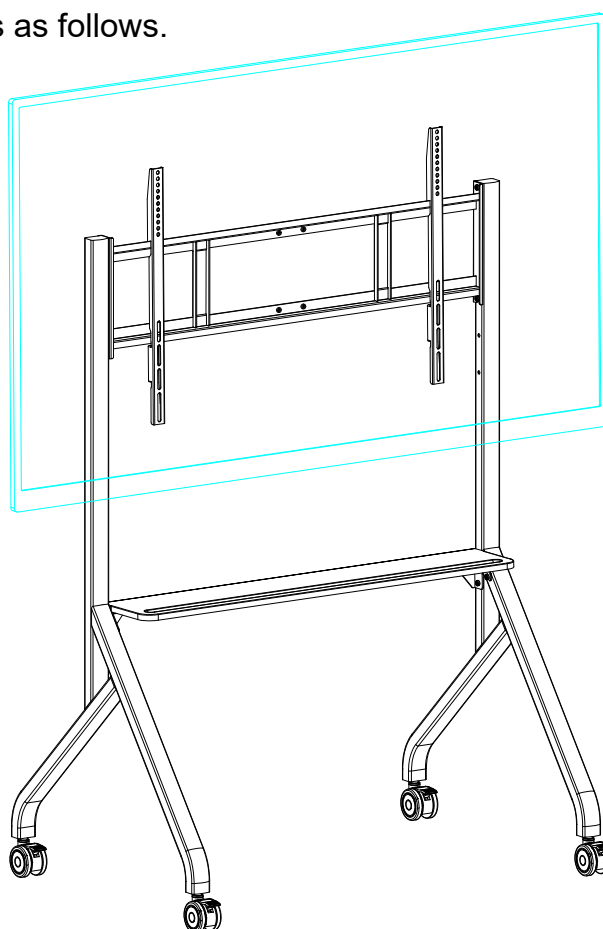


Figure 6