



# IQTouch TE1300



---

## Data Sheet

---

- **The advanced Android 13.0**  
Latest Android version on IFP, faster processing speed and more stable performance.
- **4K UHD display with zero bonding**  
Support for all-channel 4K UI display with high brightness and high contrast.
- **Dual USB-C connectivity**  
Instantly connect your own device for hassle-free presentations via a single-cable solution for touch, audio, video, and power.
- **Annotation on any source**  
Switch freely among different input sources while making direct annotations.
- **Smart Pen Integration**  
Seamlessly interact with IQ SmartPen SP200 for more convenient presentation.



## IQTouch TE1300 Specifications

### Display

Model	LE065MD	LE075MD	LE086MD
Diagonal Size	65"	75"	86"
Brightness	350cd/m <sup>2</sup>	400cd/m <sup>2</sup>	
Contrast Ratio		5000:1	
Panel Type		TFT	
Backlight		Direct LED (DLED)	
Resolution		4K UHD (3840*2160)	
Aspect Ratio		16:9	
Response Rate		8ms ( typ.)	
Refreshing Frequency		60Hz	
Viewing Angle		178° (H), 178° (V)	
Backlight Life Time		50,000 hrs	
Display Colors		10bit(1.07B)	
Glass		4mm Anti-Glare Tempered Glass with Zero Bonding (MOHS 7)	

### Interactivity

Touch Technology	Infrared
Touch Point	40-point touch; 40-point writing under Windows; 20-point writing under Android;
Touch Resolution	32768 x 32768
Response Rate	<4ms(single touch) <6ms(max touch inputs)
Touch Accuracy	≤1mm
Recognition	Finger or passive stylus
Writing Height	3mm
Minimum Touch Object	2mm
Supported O.S.	HID Support & Win10/Win8/Win7/Mac OS /Android/Chrome OS/Linux

### Power

	65"	75"	86"
Voltage	100-240V, 50-60 Hz	100-240V, 50-60 Hz	100-240V, 50-60 Hz
Maximum Power	≤250W	≤350W	≤450W
Standby Power	≤0.5W	≤0.5W	≤0.5W

### Physical Specifications

	65"	75"	86"
Net Weight	40Kg ± 1 Kg	56Kg ± 1 Kg	66Kg ± 1 Kg
Gross Weight	46Kg ± 1 Kg	70Kg ± 1Kg	81Kg ± 1Kg
Product Size (mm) (W*D*H)	1490* 887*89	1712* 1013*89	1959* 1152*89
Packing Size (mm) (W*D*H)	1576* 980*200	1800* 1125*200	2044* 1262*200
VESA Hole Position (mm)	4-M8 screw hole 500*400	4-M8 screw hole 600*400	4-M8 screw hole 800*400

### Environmental

Working Temperature	0°C ~ 40°C
Storage Temperature	-20°C ~ 60°C
Working Humidity	20% ~ 80% RH Non-Condensing
Storage Humidity	20% ~ 90% RH Non-Condensing



## Front Buttons

1 Button	POWER
----------	-------

## Connectivity

Front	USB3.0 (Android&PC)	3
	HDMI IN 2.0	1
	Touch-USB	1
	Type C (USB2.0, Audio&Video, Touch, 5W Power)	1
Input	RJ45 (10/100MB)	1
	HDMI 2.0 (4K@60fps)	2
	VGA	1
	Audio	1
	USB 2.0 (Android)	1
	USB 3.0 (Android)	1
	AV	1
	RS232	1
	YPBPR	1
	Touch-USB	1
Output	HDMI 2.0 (4K@60fps)	1
	COAX SPDIF	1
	AV	1
	EARPHONE	1
Speakers	15W*2	
Light Sensor	YES	
Temperature Monitor	YES	
WiFi & Hotspot	802.11 a/b/g/n/ac embedded (2.4G/5G Dual Module)	
Bluetooth	5.0	

## Language

OSD	Simplified Chinese, Traditional Chinese, English, Arabic, Spanish, French, Italian, Japanese, Portuguese, Russian, German, Vietnamese, Hungarian, Korean, Polish, Thai, Kazakh, Greek, Croatian, Danish, Indonesian, Persian, Czech
-----	---

## Android

CPU Framework	Quad-core A55
CPU Processor Speed	1.9GHz
GPU	Mali G52MP2
RAM	4GB DDR4
ROM	32GB EMMC
OS Version	Android 13.0
IQ OS	YES

## OPS (Optional)

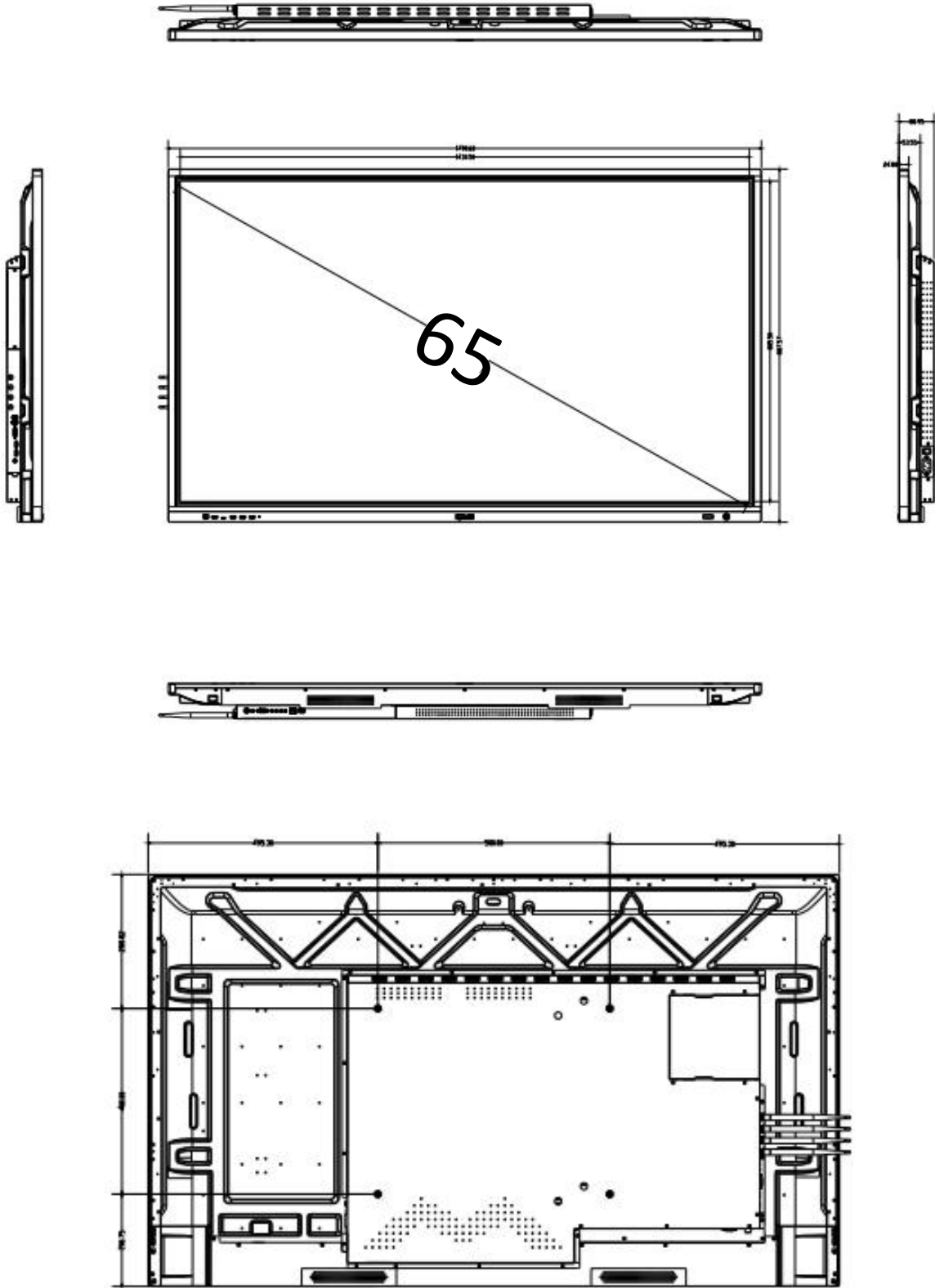
Chipset	Intel
CPU	Intel®Core i3/i5/i7
Memory	4GB/8GB/16GB
HDD	500GB/1TB
SSD(optional)	128GB/256GB/512GB

## OPS Interfaces (Subject to model)

USB2.0	2
USB3.0	2
LAN	1
HDMI	1
LINE-OUT	1
MIC-IN	1

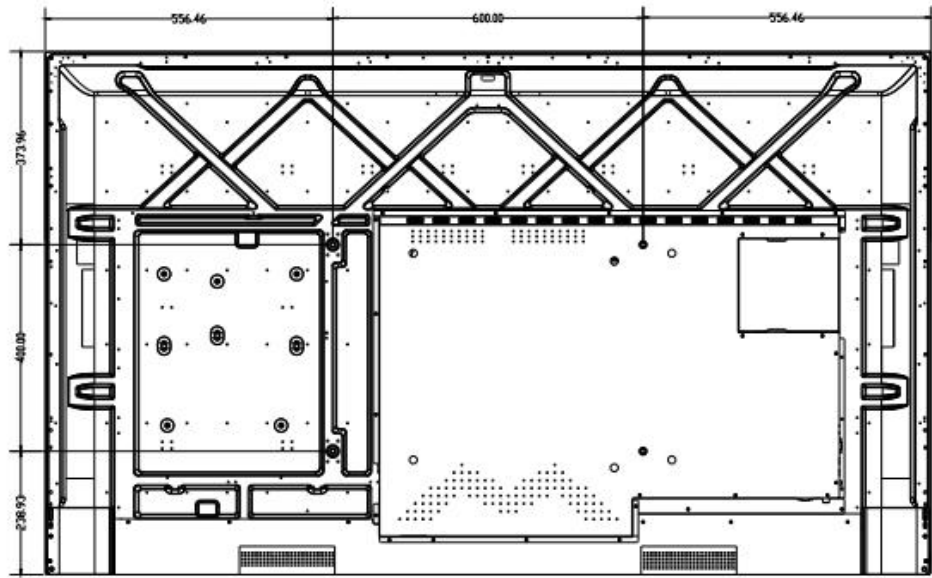
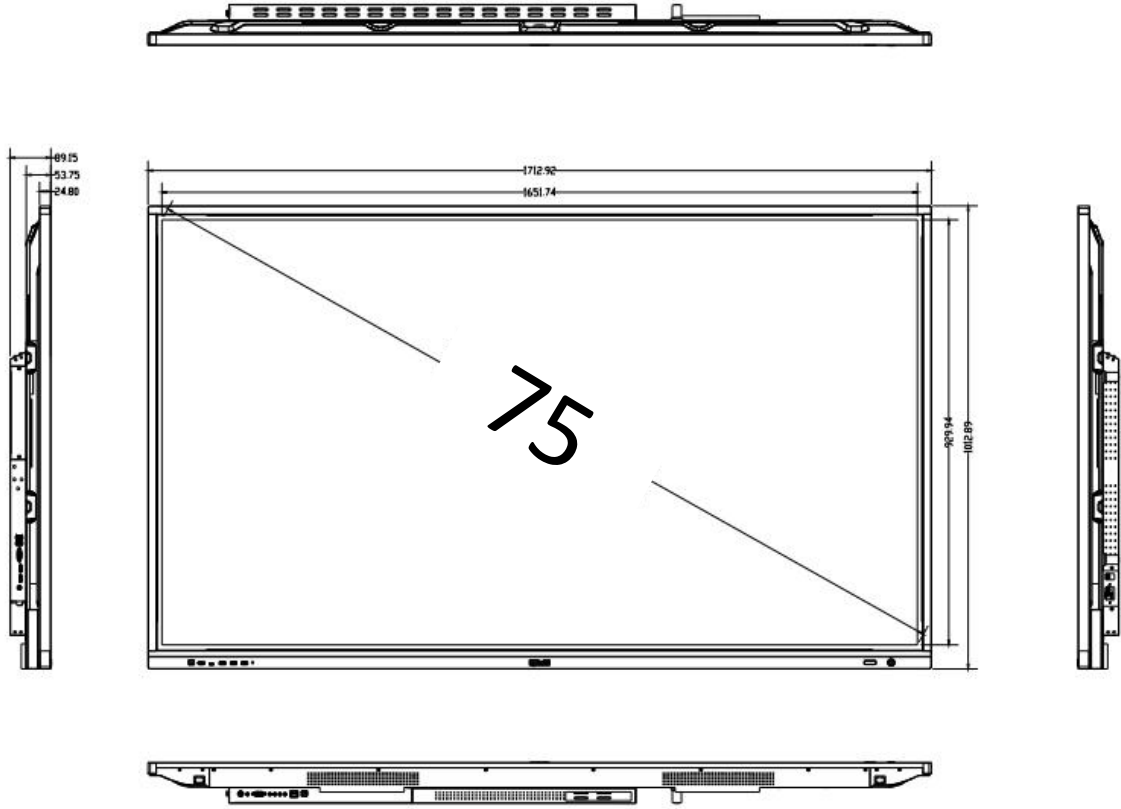


## IQTouch TE1300 65inch Dimension





# IQTouch TE1300 75inch Dimension





# IQTouch TE1300 86inch Dimension

