



# **IQVideo**

## **Lecture Capture System**

### **LCS710 Pro**

——— Datasheet ———





## Video Station



### Features

- Multifunctional and highly integrated design, using high-performance and low-power embedded processor, integrating POE one-line communication, audio and video collection, touch screen display, recording and broadcasting, live broadcast, remote interaction and other functions in one device.
- Display touch function; built-in 13.3-inch high-definition LCD touch screen with tempered anti-scratch glass material.
- The device has a built-in audio processing module, no need separated audio system, and the device can realize functions such as automatic sound mixing, noise suppression, and echo cancellation.
- The POE network interface conforms to the 802.3af/at specification. Only one network cable is needed to realize POE power supply, control and video transmission, no extra cables for convenient device installation.
- The device has Virtual Local Area Network technology capable to isolate peripheral devices such as cameras from the external network to release more network resources and reduce the spread of virus through network.
- The device has powerful codec capability, supporting 4K input, 4K output, and 4K recording.
- Support access to EPTZ camera, which can realize panoramic and close-up dual-screen shooting.
- The device supports centralized control and management. All operations including device status check can be achieved through the unified management and control on the web-based platform to reduce the staff's workload.



## Video Station

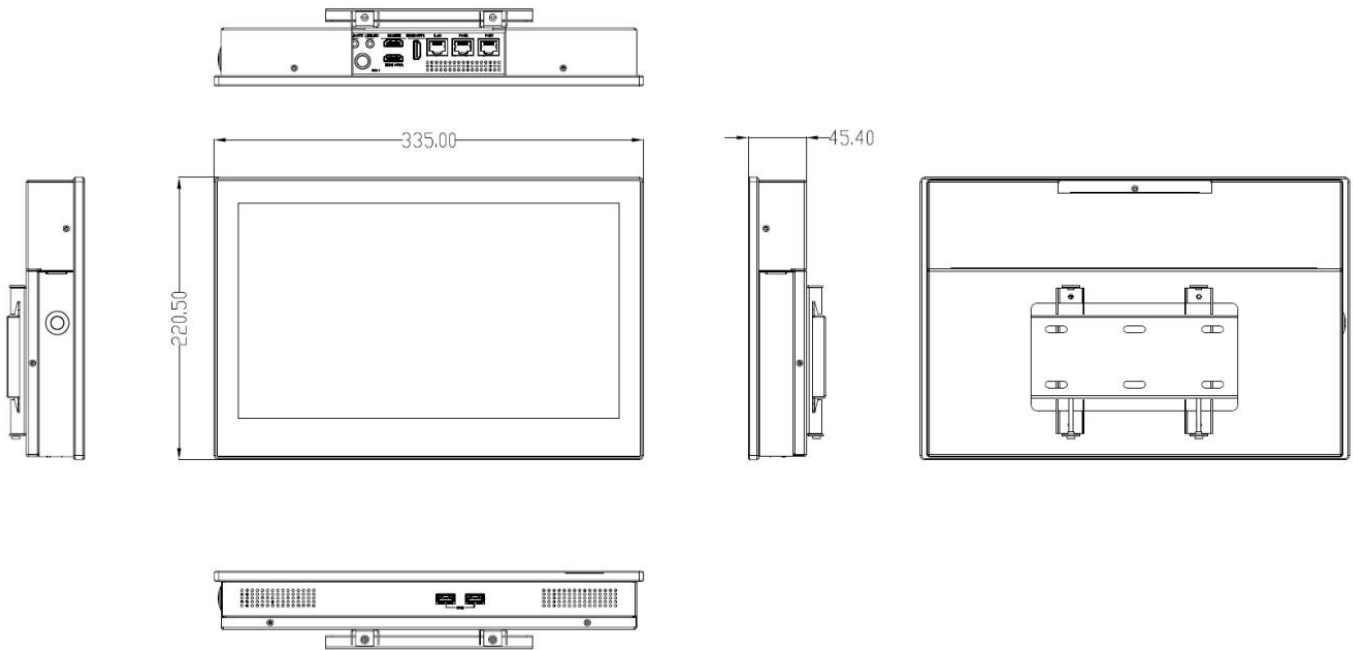
### Specifications

<b>System structure</b>	Embedded Linux system
<b>Display screen</b>	13.3 inches, 1920*1080 resolution, capacitive touch, tempered protective glass;
<b>Video input</b>	1 x HDMI, 5 x network video stream (optional 2 x SDI input interface)
<b>Video output</b>	2 x HDMI
<b>Maximum input resolution</b>	3840*2160
<b>Audio input</b>	1 x 3.5mm line-in interface, 1 x 3.5mm mic-in interface, 2 x MIC interface with 48V phantom power supply
<b>Audio output</b>	1 x 3.5mm line-out interface
<b>Video encoding</b>	H.264
<b>Audio encoding</b>	AAC
<b>Video output format</b>	MP4, TS
<b>Video encoding frame rate</b>	25~30fps
<b>Video bit rate</b>	256kbps~20480Kbps adjustable
<b>Audio bit rate</b>	32~192Kbps adjustable
<b>Data storage</b>	Built-in>=1T storage, support USB export, support FTP upload
<b>Network</b>	5 x RJ45 network ports, 3 of which support POE
<b>Serial port</b>	1 x RS232 serial port
<b>USB interface</b>	3 x USB ports, one of which is CONSOLE
<b>Software upgrade</b>	Support online upgrade and local upgrade
<b>Power parameters</b>	AC 220V

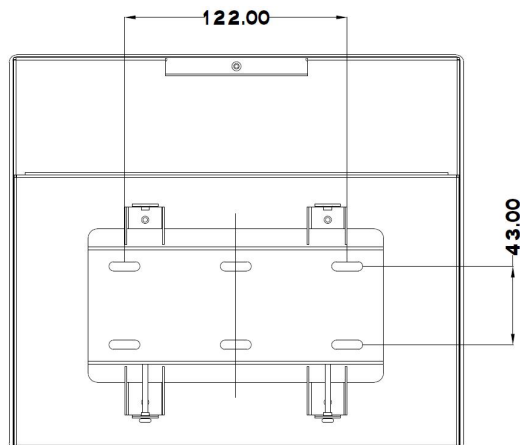


## Video Station Dimension (unit: mm)

**Video Station Dimension: 335mm\*220.5mm\*45.4mm**



**Mounting Hole Dimension: 122mm\*43mm**





## 4K PTZ Camera CV870 Pro



### Features

- Dual-cam design, simultaneous 4K UHD outputs of tracking cam and full-view cam;
- Tracking cam: 12x optical zoom, max resolution 4KP60;
- Full-view cam: 4K lens, no distortion;
- Built-in advanced AI algorithm based on deep learning, to ensure stable tracking and precise posture recognition;
- Board writing recognition based on pose estimation, giving clear view of writing content;
- Rich tracking modes such as auto framing, zone tracking, lock-n-track, group tracking;
- Simultaneous outputs over HDMI, USB2.0, Ethernet, support POE;
- Built-in Web UI for easy setting and control.



## 4K PTZ Camera CV870 Pro

### Specifications

Model	CV870 Pro (Teacher)	CV870 Pro (Student)
<b>Tracking Camera</b>		
Image Sensor	1/2.8" 4K CMOS, 8.46MP	
Lens	12x optical zoom; 8X digital zoom; f=3.4mm~40.3mm; F1.8 (Wide)~3.6 (Tele)	
HFOV	81°~7.6°	
Image	Auto Focus/Auto Exposure/Auto White Balance	
AGC	Auto/Manual	
White Balance	Auto/Indoor/Outdoor/One Push/Manual/Static	
AE Control	Auto/Manual/Shutter Priority/Iris Priority/Brightness Priority	
Shutter Speed	1/50~1/10,000s	
SNR	≥50dB	
<b>Full View Camera</b>		
Image Sensor	1/2.8"4K CMOS, 8.46MP	
White Balance	Auto	
Exposure	Auto	
Lens	8mm	2.8mm
Field of View	Horizontal: 43°, Vertical: 28°	Horizontal: 94°, Vertical: 62°
<b>PTZ</b>		
Pan	-130°~+130°; 0.2° ~ 80°/s	
Tilt	-30°~+90°; 0.2° ~ 60°/s	
Preset Number	64	
<b>Interface</b>		
HDMI 2.0	4KP60/P50/P30/P25, 1080P60/P50/P30/P25, 720P60/P50	
Network	1 × RJ-45:10M/100M/1000M self-adaptation ethernet port, support POE; Video format: H.264/H.265 ; Close-up: 4KP30/P25, 1080P30/P25, 720P30/P25, 360P30/P25 , Single stream output 4KP60/P50/P30/P25 , 1080P60/P50/P30/P25 , 720P60/P50/P30/P25 Full view: 4KP30/P25, 1080P30/P25, 720P30/P25, 360P30/P25	
USB 2.0	UVC support UVC1.1 protocol UVC Video compression support H.264/MJPEG: 4KP30/P25, 1080P30/P25, 720P30/P25	

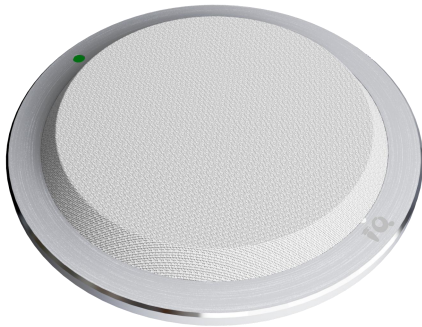


## 4K PTZ Camera CV870 Pro

<b>3G-SDI (Optional)</b>	1*3G-SDI; Video Resolution: 1080P60/P50/P30/P25, 720P60/P50
<b>HD-BaseT (Optional)</b>	1*HD-BaseT; Video Resolution: 4KP60/P50/P30/P25, 1080P60/P50/P30/P25, 720P60/P50
<b>Audio Interface</b>	1 × LINE IN, 3.5mm
<b>DIP Switch</b>	Rotary DIP switch to define video format
<b>Control Interface</b>	1 ×RS232 IN, 1 ×RS232 OUT
<b>General</b>	
<b>Power</b>	DC12V; <18W
<b>Control Protocol</b>	VISCA
<b>Operating Environment</b>	Temperature: 0°C ~ +40°C; Relative Humidity: 10%RH ~ 90%RH
<b>Storage Environment</b>	Temperature: -20°C ~ +60°C; Relative Humidity: 10%RH ~ 95%RH
<b>Dimensions (L×W×H)</b>	245mm×145mm×165mm
<b>Weight</b>	1.8kg



## Ceiling Microphone



### Features

- **Superb Quality Sound:** The built-in 8 element microphone array detects audio from up to 8 meters away, ensuring every one involved to be heard loud and clearly.
- **Enhanced Voice Coverage:** Up to 4-unit cascading offers wider sound pick-up range up to 300m<sup>2</sup>. It allows teachers or meeting participants to be heard clearly in different room sizes.
- **Plug and Play Connectivity:** Easy and flexible USB-C connectivity, simply connecting it to your laptop or desktop computer using one USB-C cable.
- **Smart Audio Processing:** Support intelligent noise reduction, echo cancellation, reverberation suppression and full-duplex communication, clearly remove reverberation in various environments.
- **Easy Deployment:** Simple connection to POE switch (Power-over-Ethernet) for power supply and data transmission, enabling you easy deployment with one cable without complex operations.
- **Elegant Design with Durability:** Stylish and durable aluminum-alloy design, making it readily adaptive to all surroundings with maximized durability.





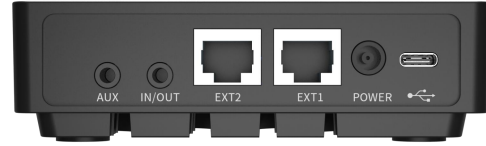
## Ceiling Microphone

### Specifications

<b>Model</b>	S610
<b>Voice Technical Parameters</b>	Automatic echo cancellation(AEC)
	Automatic gain control technology(AGC)
	Automatic Noise Suppression (ANC)
<b>Microphone Array</b>	Built-in 8 omnidirectional microphones
<b>Cascade Connection</b>	Up to 4 unit cascading
<b>Pickup Range</b>	8 meters
<b>Sensitivity</b>	-26 dBFS
<b>Signal Noise Ratio</b>	>95 dB(A)
<b>Frequency Response</b>	20Hz - 16kHz
<b>Sampling Rate</b>	32KHz, high resolution broadband audio
<b>USB Protocol</b>	Support UAC
<b>Interface(s)</b>	1x 12V DC , 2 x RJ45 Port, 1 x 3.5mm , 1x USB-C
<b>Power Supply</b>	Adapter DC12V1A, or POE
<b>Humidity</b>	20%-85%
<b>Size (length*width*height)</b>	156mmx 156mmx 35.6mm
<b>Power Supply</b>	Adapter DC12V1A, or POE
<b>Humidity</b>	20%-85%
<b>Size (length*width*height)</b>	156mmx 156mmx 35.6mm

\*Specifications are subject to change without notice. \*All dimensions  $\pm 1$ cm.

# Sound Mixer



## Specifications

<b>Model</b>	S610M
<b>Acoustic Echo Cancellation (AEC)</b>	65dB or higher
<b>Echo Cancellation Duration</b>	≥500ms
<b>Bidirectional Noise Compression (NC)</b>	Noise compression reaches 18dB
<b>Smart Microphone Auto-Directional Technology</b>	EMI
<b>Automatic Gain Control Technology</b>	AGC
<b>Reverberation Time</b>	< 0.5 s
<b>Noise Level</b>	< -48 dBA
<b>Power Supply</b>	AC100~240V, 50-60Hz, 12W
<b>Operating Temperature</b>	0°C-50°C (Operating Status)
<b>Humidity</b>	20%-85%
<b>3.5mm Audio Interface</b>	2
<b>USB Interface</b>	1
<b>Network Interface</b>	2
<b>Power Interface</b>	1



## Sound Mixer

<b>Cascade Mode</b>	POE Power Supply
<b>Power Supply Method</b>	Adapter DC12V/2A